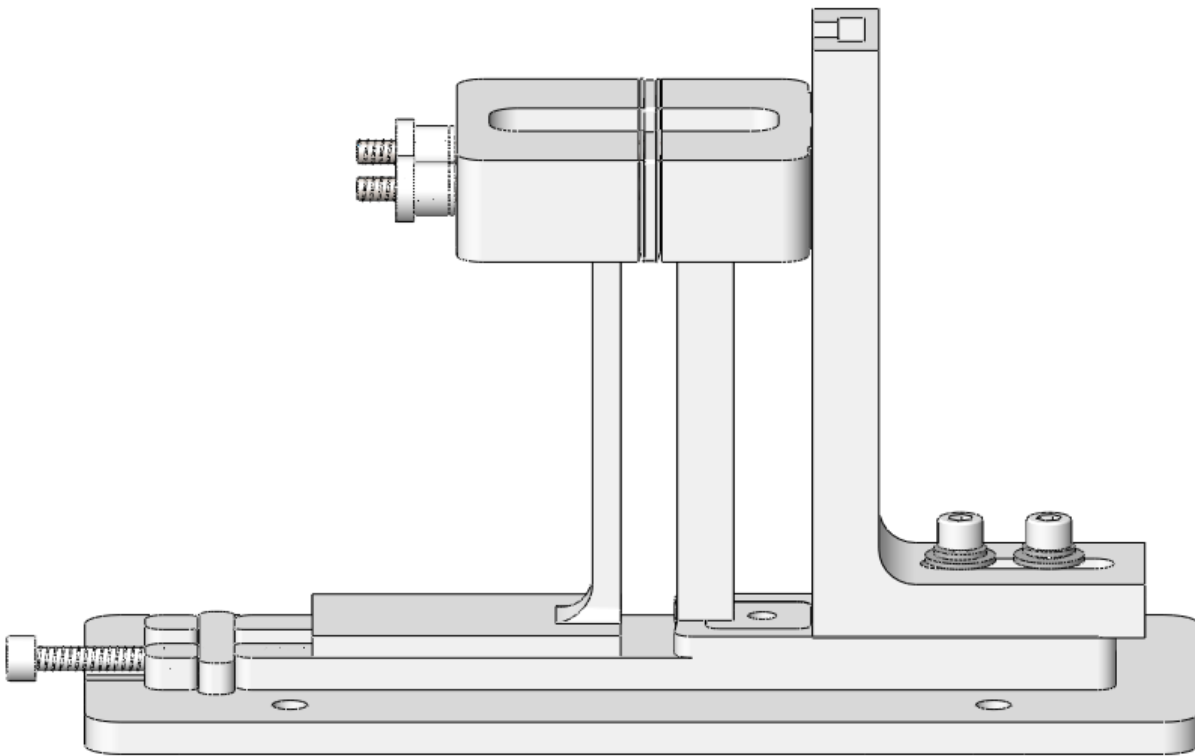


Instruction Manual



UC Irvine Cartilage Cutter
Model 2010



www.praxisbiosciences.com

TABLE OF CONTENTS

Assembly Diagram (Page 2)

Parts List (Page 2)

Detailed Assembly Instructions For Cutting Jig (Page 3)

Detailed Assembly Instructions For Platform (Page 6)

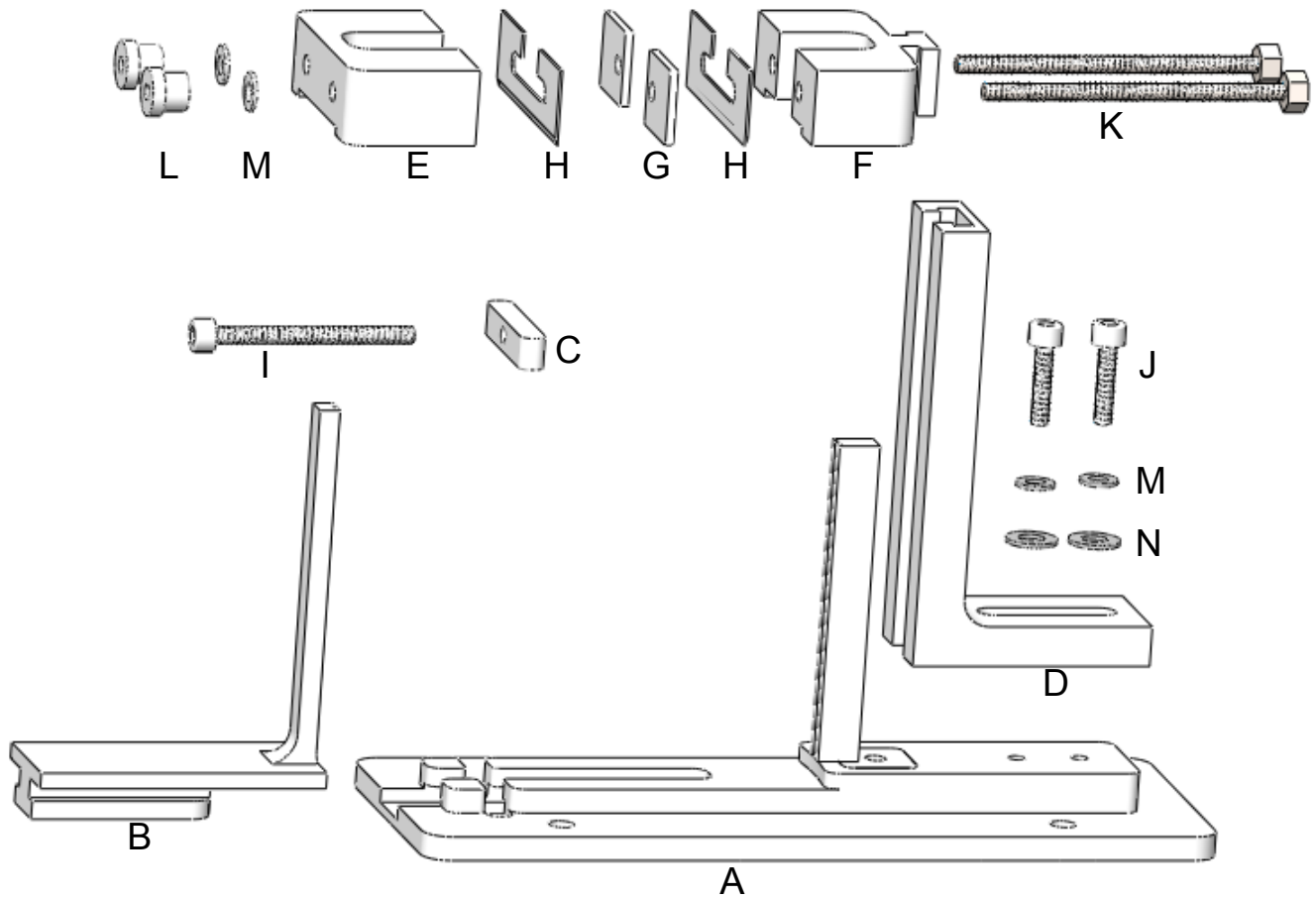
Operating Instructions (Page 8)

Maintenance (Page 11)

Replacement Parts and Service (Page 11)

Safety (Page 11)

ASSEMBLY DIAGRAM



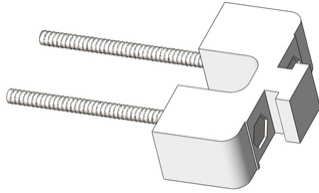
PARTS LIST

Part	Description	Quantity	ID
A	Main base	1	MB-01
B	Sliding post	1	SP-01
C	Clamping bar	1	CP-01
D	Guide	1	GR-01
E	Cutting jig (front component)	1	CF-01
F	Cutting jig (rear component)	1	CR-01
G	Spacers (four thicknesses: 1mm, 2mm, 3mm, 4mm)	4 pairs	SSS-01
H	Blades	Varies	BLSS-01
I	Bolt (plastic, 2 inches long)	1	BOSP-01
J	Bolts (metal, 0.75 inches long)	2	BOG-01
K	Bolts (metal, 3 inches long)	2	BOC-01
L	Knurled nuts	2	KN-01
M	Washers (small)	Varies	WS-01
N	Washers (large)	Varies	WL-01

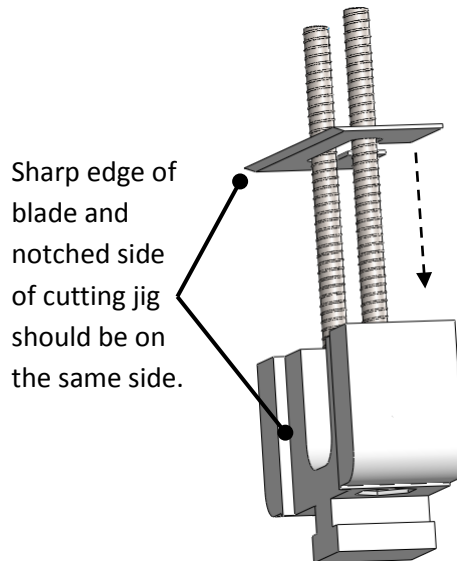
DETAILED ASSEMBLY INSTRUCTIONS

Assembly of the Cutting Jig

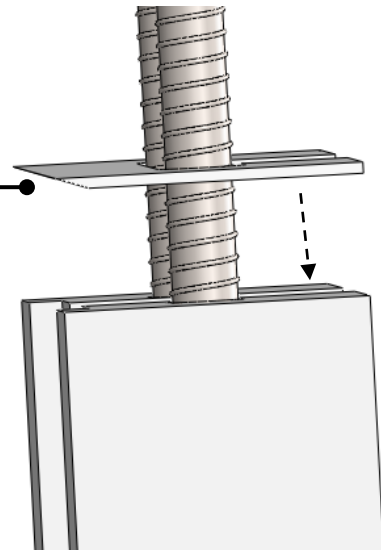
1. Insert the two bolts (part K) through the holes of the cutting jig (rear component; part F).



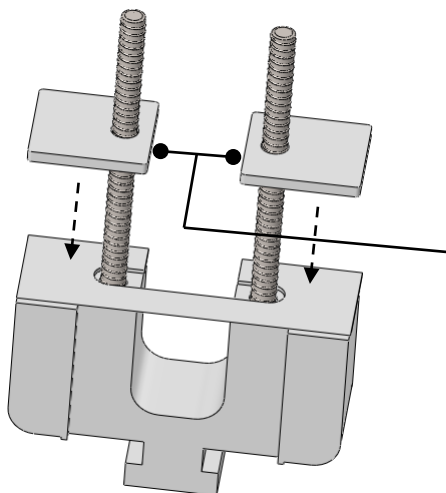
2. Slide the blade (part H) through the bolts and place it against the cutting jig. The orientation of the blade is critical.



Beveled side of blade should be facing down and towards the cutting jig.

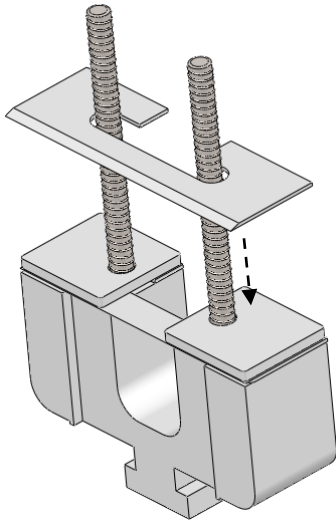


3. Select a pair of spacers (part G) with the same thickness and slide them through the bolts. The cartilage slice obtained using the device will have a thickness equal to the thickness of the spacer selected.

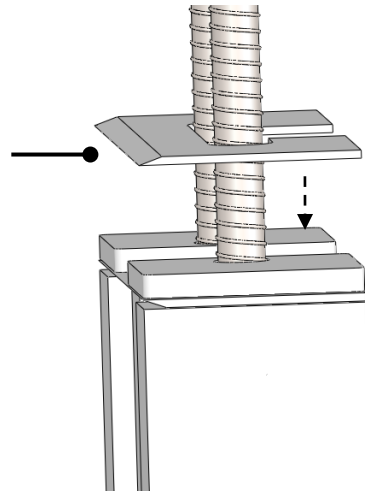


The spacers should be positioned so that they do not block the center of the cutter.

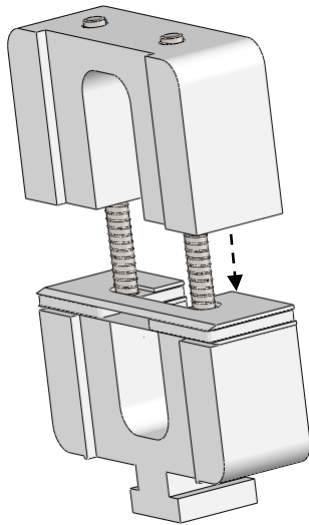
4. Slide the blade (part H) through the bolts. The bevel of this blade should face away from the spacers under it.



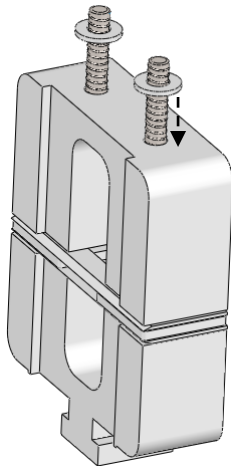
Bevel side of blade should be facing up and away from the spacers under it.



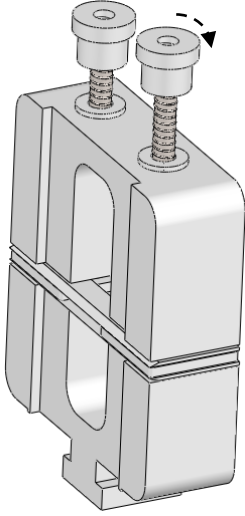
5. Slide the cutting jig (front component; part E) through the bolts.



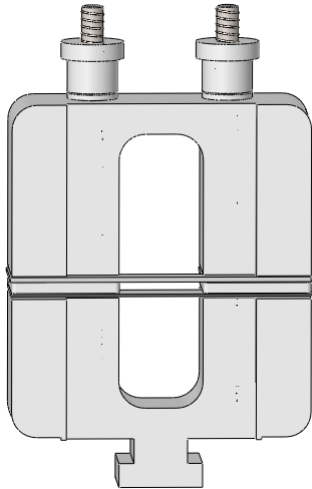
6. Slide the small washers (part M) through the bolts.



7. Screw the two nuts (part L) onto the bolts in order to secure the cutting jig together. Firmly tighten by hand.



8. Illustration of cutting jig after complete assembly:

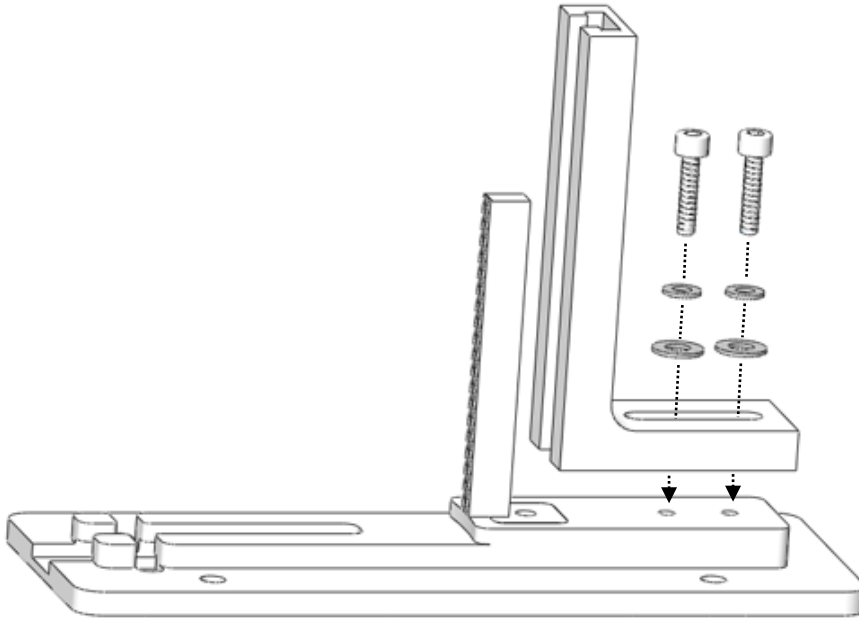


Important Note:

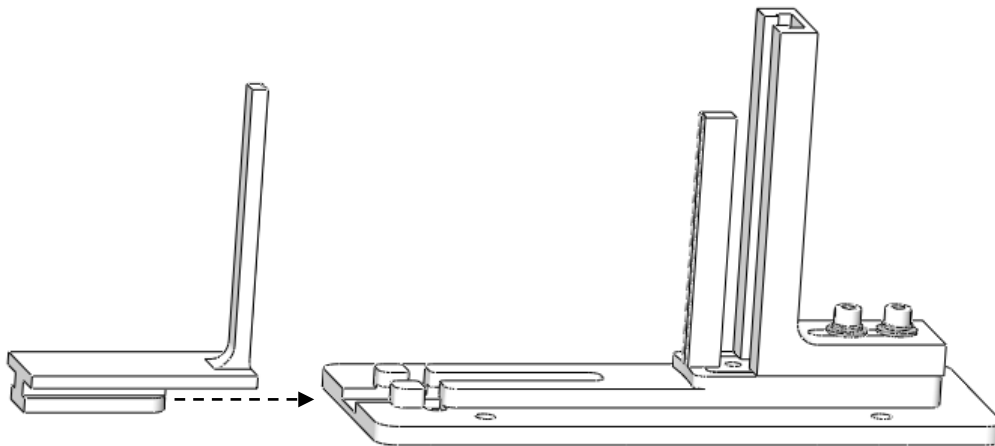
If assembled correctly, the beveled sides of the two blades should be facing away from each other.

Assembly of the Platform

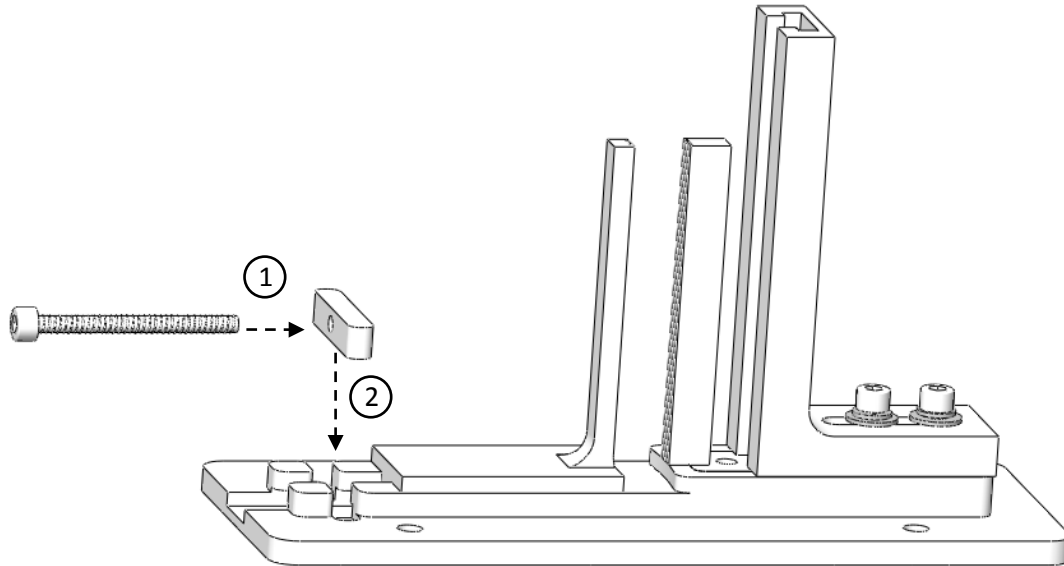
1. Place the main base (part A) on a flat surface. Slide the small washers (part M) onto the two bolts (part J). Then slide the larger washers (part N) onto the bolts. Slide the bolts through the guide (part D) and screw them into the main base. The bolts should be loose enough so that the guide can slide back and forth.



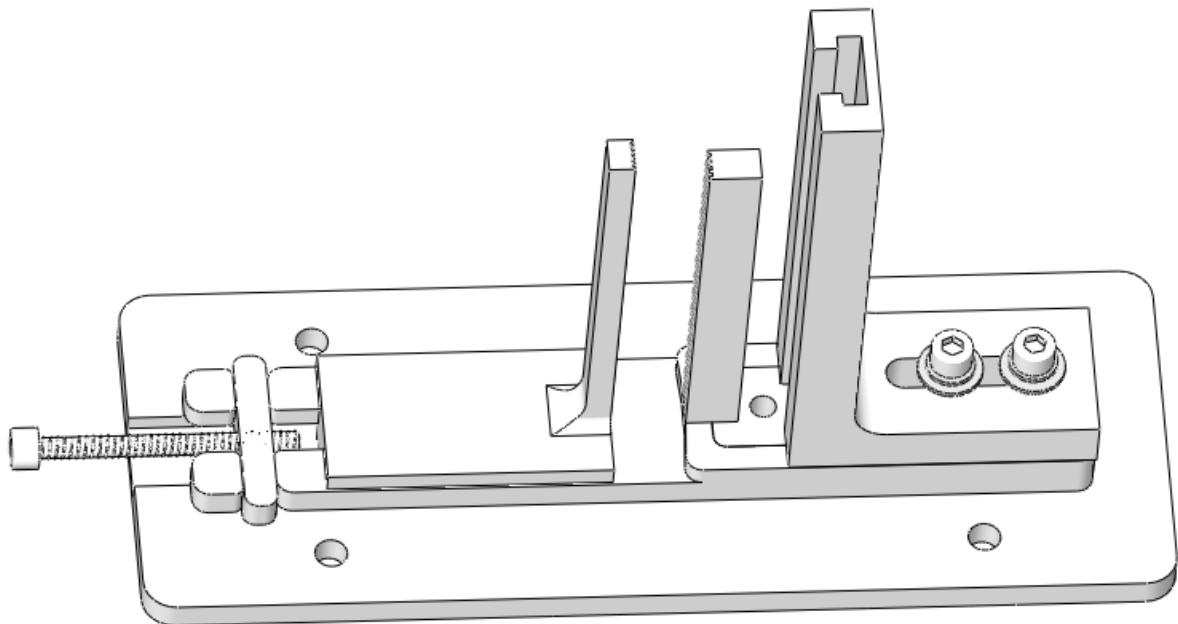
2. Slide the sliding post (part B) into the main base.



- Partially screw the bolt (part I) into the clamping bar (part C); several rotations of the bolt is sufficient. Then, place the clamping bar into the inset of the main base.

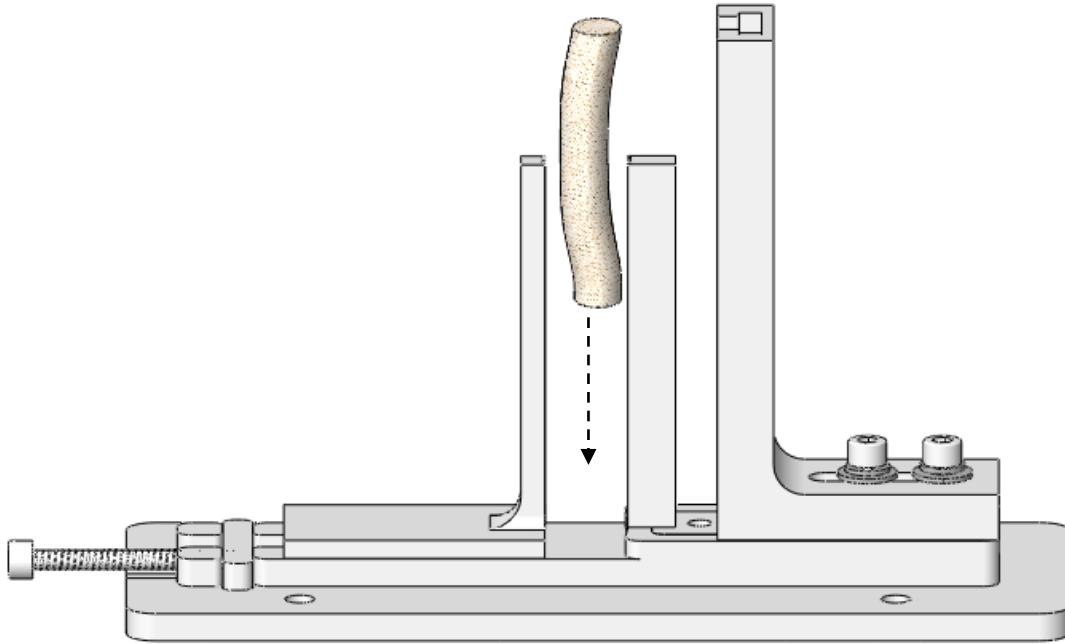


- Illustration of platform after complete assembly:

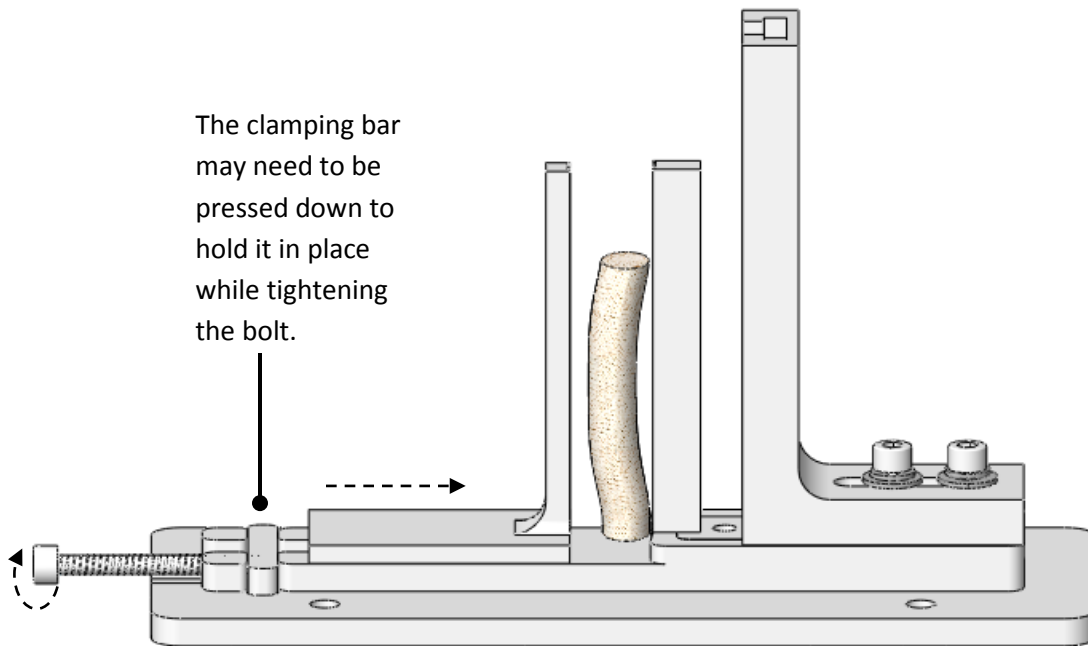


OPERATING INSTRUCTIONS

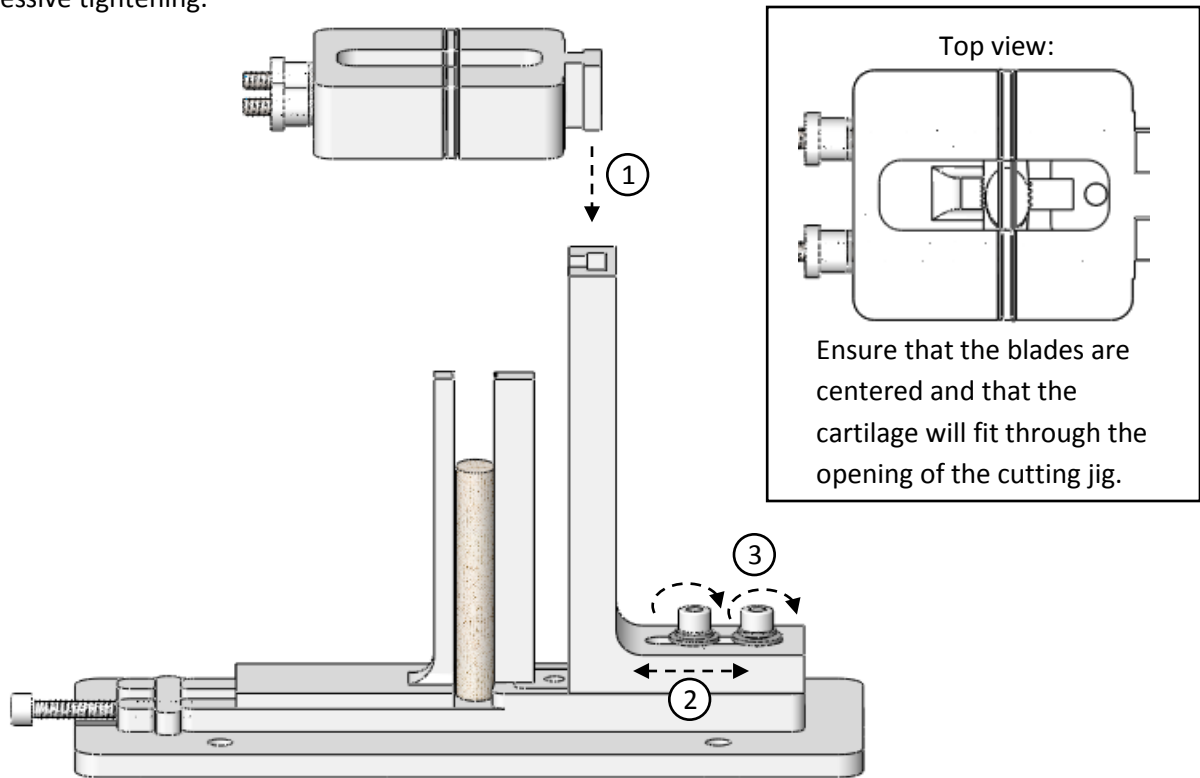
1. Place the costal cartilage between the two posts.



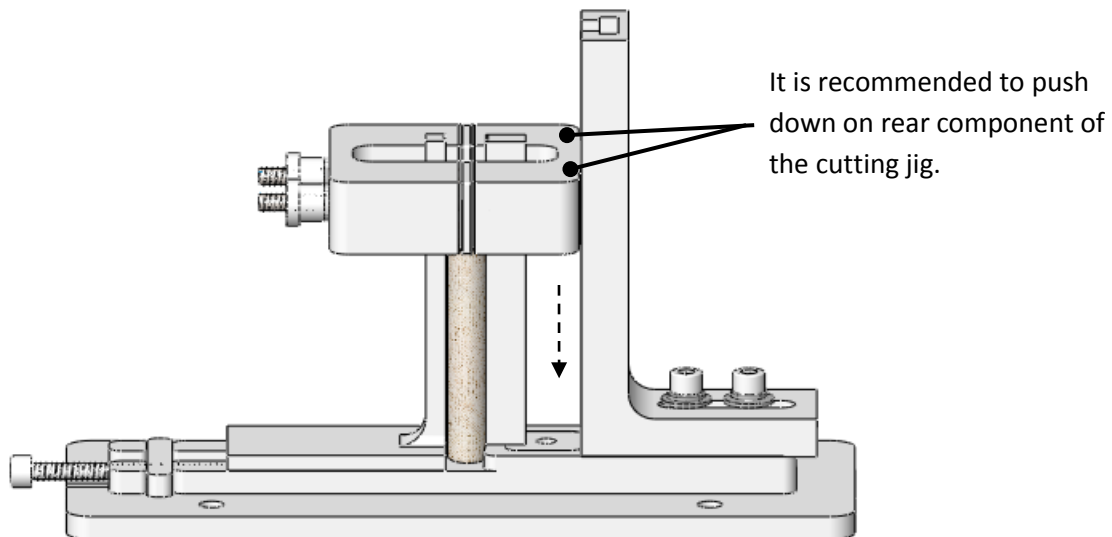
2. Tighten the horizontal bolt that goes through the clamping bar in order to compress the cartilage between the posts. Compress the cartilage to flatten any curvature and to secure it tightly in place.



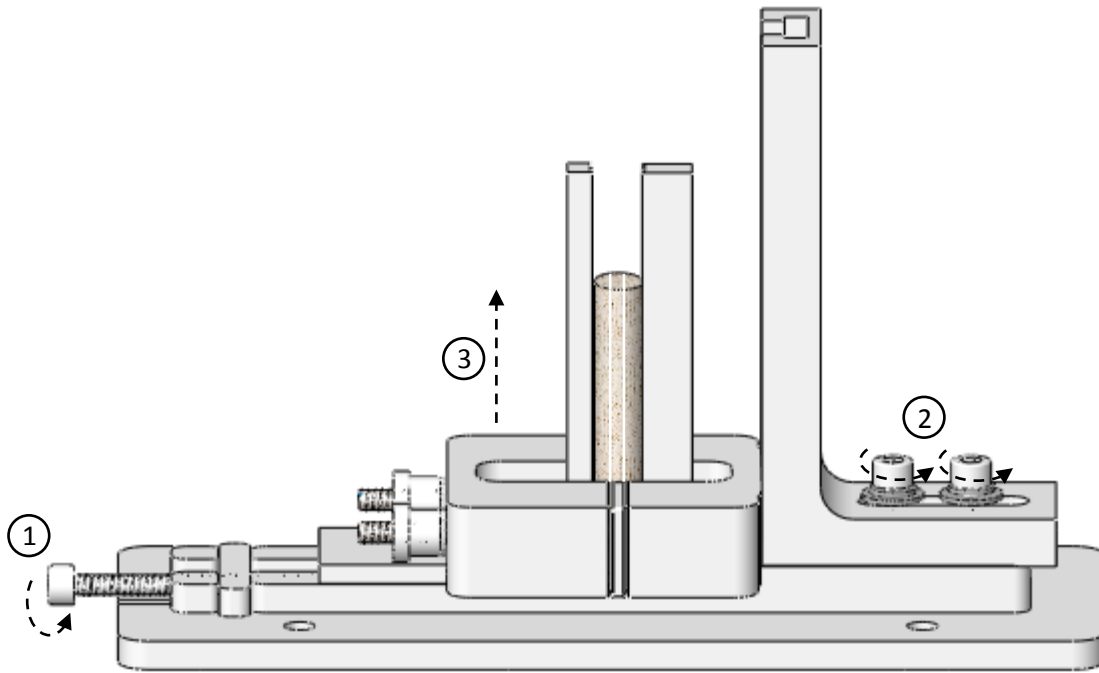
- Slide the cutting jig through the guide until it rests on top of the cartilage. With the bolts of the guide loosened, position the guide so the blades of the cutting jig are between the posts and at the center of the cartilage. Once the cutting jig is properly positioned, secure the guide by tightening the two bolts. The bolts may be tightened using the supplied wrench, but be careful not to damage the device by excessive tightening.



- With a steady downward force, push the cutting jig through the cartilage.



5. Once the blade has reached the bottom and the cartilage is cut, loosen the horizontal bolt that is attached to the clamping bar and loosen the bolts going through the guide. Then, remove the cutting jig and cartilage.



MAINTENANCE

Sterilization

- It is recommended to disassemble the device prior to sterilization.
- The color of the device may fade after repeated sterilizations. This is normal and does not affect the function or durability of the device.
- Sterilization methods that use chemicals (ie: Sterrad) will fade the device more rapidly.

Storage

- Place the disassembled parts in their corresponding spots in the case to prevent damage to the device.

Parts

- It is recommended to replace the blades after each cut.
- The plastic bolt and washers should be replaced if they show signs of wear.

REPLACEMENT PARTS & SERVICE

- If you require technical service or need replacement parts, please contact your Praxis BioSciences sales representative. Please visit www.praxisbiosciences.com for more information.

SAFETY

- The blades have extremely sharp cutting edges and can cause serious injury. Please handle the blades with care.



Praxis BioSciences assumes no liability for any damage or injury caused by the use of non-original parts or misuse.